

DIO3202B

USB2.0 High-Speed and Audio Switch with Negative Swing Capacity

Features

- Low Ron Audio/USB analog switch
- Low USB Con: 5pF
- Negative Signal Swing Capable
- Low Audio Distortion
- USB Switch -3dB Bandwidth: 720MHz
- High Crosstalk and Off-isolation
- Voltage Supply Operation: 2.7 to 4.2V
- 5.25V Tolerant on COM pin
- Three Green Packaged: DQFN10

Applications

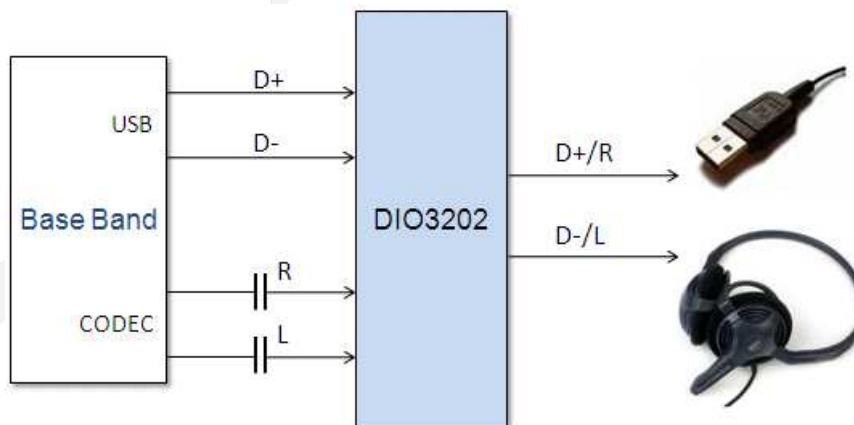
- Cell-Phone/PDA
- MP3/MP4/PMP
- Portable Instrumentation
- Battery Powered Communications
- Computer Peripherals

Descriptions

The DIO3202B is dual SPDT (Single Pole/Double Throw) switch which combines low distortion audio and accurate USB2.0 high-speed data signal switching in the same low voltage device. This architecture is designed to allow negative signal passing as low as 2V below ground. When a voltage is detected on V_{BUS}, DIO3202B will immediately switch to USB mode.

DIO3202B provides packages with Green or RoHS tiny 10L packages, and operates over a temperature range of -40°C to 85°C.

Block Diagram



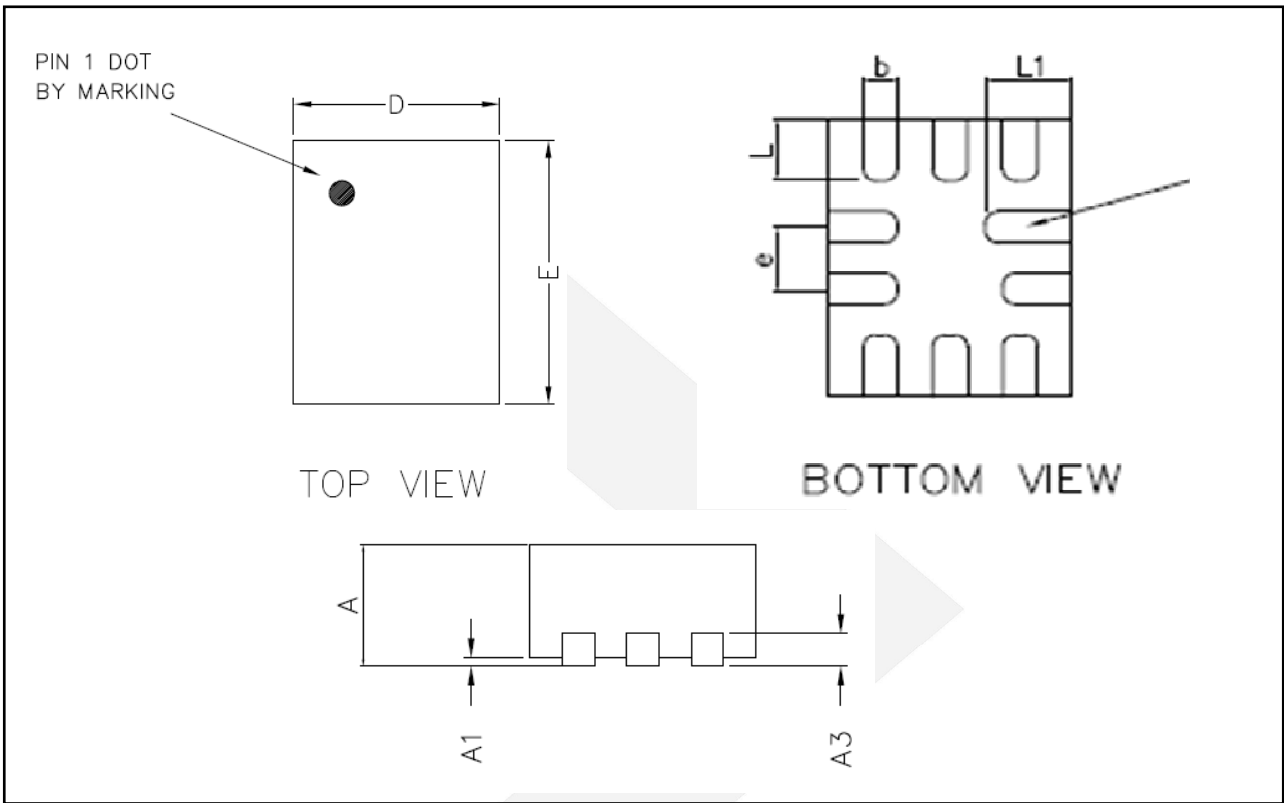
Ordering Information

Order Part Number	Top Marking		T _A	Package	
DIO3202BLP10	YWXZ	Green	-40 to +85°C	DQFN-10	Tape & Reel, 3000

DIO3202B

USB2.0 High-Speed and Audio Switch with Negative Swing Capacity

Physical Dimensions: DQFN-10



COMMON DIMENSIONS(MM)			
PKG.	UT:ULTRA THIN		
REF.	MIN.	NOM	MAX
A	0.5	0.55	0.6
A1	0		0.05
A3	0.15REF.		
D	1.35	1.4	1.45
E	1.75	1.8	1.85
b	0.15	0.2	0.25
L	0.3	0.4	0.5
L1	0.4	0.5	0.6
e	0.4BSC		

CONTACT US

Dioo is a professional design and sales corporation for high-quality and performance analog semiconductors. The company focuses on industry markets, such as, cell phone, handheld products, laptop, and medical equipments and so on. Dioo's product families include analog signal processing and amplifying, LED drivers and charger IC. Go to <http://www.dioo.com> for a complete list of Dioo product families.

For additional product information, or full datasheet, please contact with our Sales Department or Representatives.

