

DIO3232C

Low-Power, USB2.0 High-Speed Switch

Features

- V_{CC} operation at 2.7V to 4.3V
- Low Con: 6.5pF Typical
- Low Ron: 6Ω Typical
- Low Power Consumption: 2μA Maximum
- Low I_{CCT} : 20μA Max @V_{IN}=1.8V, V_{CC}=3.6V
- -3dB Bandwidth: > 720MHz
- Packaged in Green MSOP-10 and DQFN-10
- 8Kv HBM ESD Rating
2Kv CDM ESD Rating
- Power-Off/On Protection on Common port.
D+/D- Pins Tolerate up to 5.25V

Descriptions

The DIO3232C is a low power, dual SPDT 2-port high-speed analog switch. It handles bi-directional signal flow and is optimized for switching a High-speed (480Mbps) source or a full-speed (12Mbps) source.

DIO3232C has high channel-to-channel noise isolation and low bit-to-bit skew which allows it to pass high-speed differential signals with good signal integrity. Each switch offers little or no attenuation of the high-speed signals at the outputs.

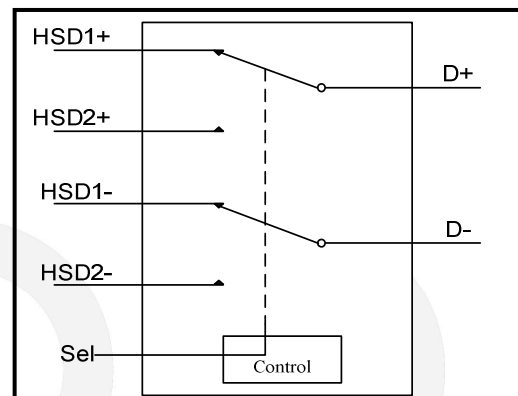
The DIO3232C contains special circuitry on the D+/D- pins, which can tolerate up to 5.25V when the USB devices are either powered off or powered on.

DIO3232C is available in two type Green packages: MSOP-10 and DQFN-10 package.

Applications

- Cell-Phone/PDA
- MP3/MP4/PMP
- STB/LCDTV

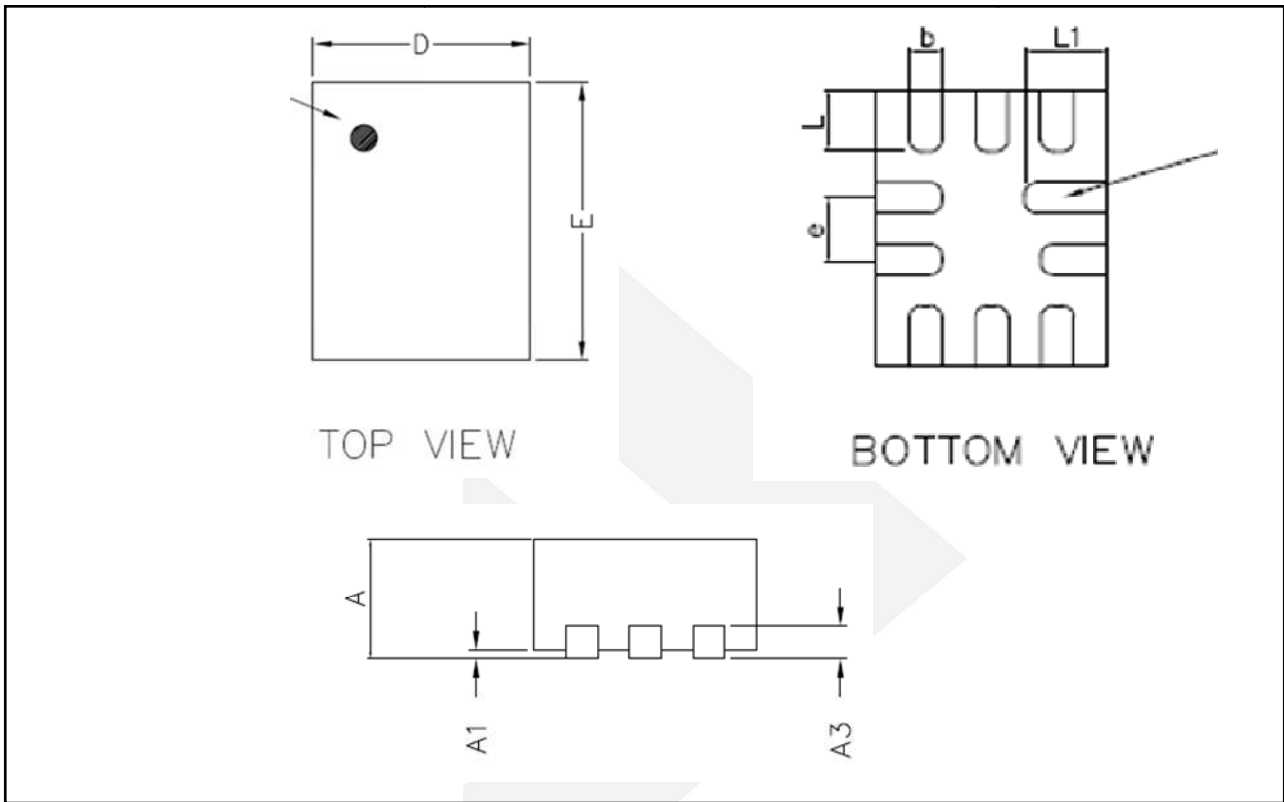
Block Diagram



Ordering Information

Order Part Number	Top Marking		T _A	Package	
DIO3232CMP10	DIO3232	Green	-40 to +85°C	MSOP-10	Tape & Reel, 3000
DIO3232CLP10	YWGZ	Green	-40 to +85°C	DQFN-10	Tape & Reel, 3000

Physical Dimensions: DQFN-10



		COMMON DIMENSIONS(MM)		
PKG.		UT:ULTRA THIN		
REF.		MIN.	NOM	MAX
A		0.5	0.55	0.6
A1		0		0.05
A3		0.15REF.		
D		1.35	1.4	1.45
E		1.75	1.8	1.85
b		0.15	0.2	0.25
L		0.3	0.4	0.5
L1		0.4	0.5	0.6
e		0.4BSC		



DIO3232C

CONTACT US

Dioo is a professional design and sales corporation for high-quality and performance analog semiconductors. The company focuses on industry markets, such as, cell phone, handheld products, laptop, and medical equipments and so on. Dioo's product families include analog signal processing and amplifying, LED drivers and charger IC. Go to <http://www.dioo.com> for a complete list of Dioo product families.

For additional product information, or full datasheet, please contact with our Sales Department or Representatives.

Low-Power, USB2.0 High-Speed Switch

