



DIO3110

Wired-or USB2.0 High-Speed and Audio Switch with Negative Swing Capacity

Features

- 1.6Ω Low Ron for Audio Channel
- 5pF Switch Off Capacitance for USB
- Negative Signal Swing Capable
- Click and Pop Suppression
- Low Audio Distortion
- Automatic USB Detection Available
- Voltage Supply Operation: 2.7V to 5.5V
- Pb-free Packaged: DQFN10
- 8kV HBM ESD Rating

Applications

- Cell Phones
- PDAs and MP3s
- Portable Instrumentation
- Set Top Box
- Computer Peripherals

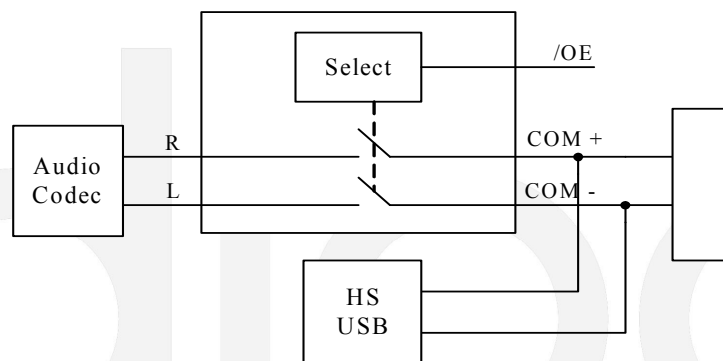
Descriptions

The DIO3110 is a double pole, single throw switch. This device is ideal for wired-or configurations, enabling shared USB2.0 and audio on a single connector, which is determined by the special architecture: combines low distortion audio path with low off capacitance for USB applications. The audio path is designed to allow negative signal passing as low as 2V below ground.

On the audio ports, DIO3110 features shunt resistors which eliminates click and pops noise in audio system by build up a safety path to ground, when the drivers are powering up/down or when a head phone is inserted or removed from the jack.

It is available in tiny 10L packages, and operates over a temperature range of -40°C to 85°C.

Block Diagram



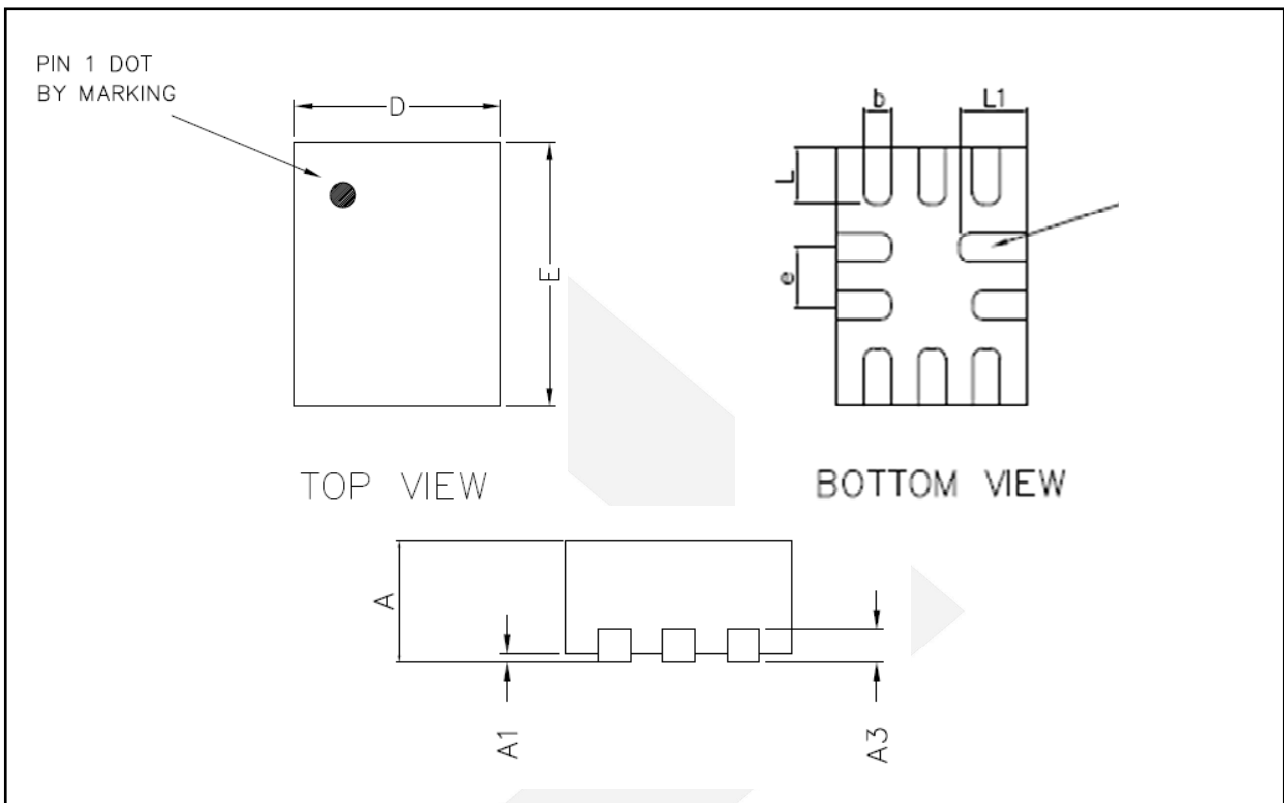
Ordering Information

Order Part Number	Top Marking		T _A	Package	
DIO3110LP10	YWXZ	Yes	-40 to +85°C	DQFN-10	Tape & Reel, 3000

DIO3110

Physical Dimensions: DQFN-10

Wired-or USB2.0 High-Speed and Audio Switch with Negative Swing Capacity



COMMON DIMENSIONS(MM)			
PKG.	UT:ULTRA THIN		
REF.	MIN.	NOM	MAX
A	0.5	0.55	0.6
A1	0		0.05
A3	0.15REF.		
D	1.35	1.4	1.45
E	1.75	1.8	1.85
b	0.15	0.2	0.25
L	0.3	0.4	0.5
L1	0.4	0.5	0.6
e	0.4BSC		

DIO3110

CONTACT US

Dioo is a professional design and sales corporation for high-quality and performance analog semiconductors. The company focuses on industry markets, such as, cell phone, handheld products, laptop, and medical equipments and so on. Dioo's product families include analog signal processing and amplifying, LED drivers and charger IC. Go to <http://www.dioo.com> for a complete list of Dioo product families.

For additional product information, or full datasheet, please contact with our Sales Department or Representatives.



Wired-or USB2.0 High-Speed and Audio Switch with Negative Swing Capacity