

DIO1269

Low-Voltage Dual-SPDT (1Ω) Analog Switch with Negative Swing Audio Capability

Features

- 1Ω Typical On Resistance (R_{ON}) for +3.0V Supply
- 0.5Ω Maximum R_{ON} Flatness for +3.0V Supply
- -3db Bandwidth: > 50MHz
- Low- I_{CCT} Current Over an Expanded Control Input Range
- Green Packaged in DQFN-10
- Power-Off Protection on Common Ports
- Broad VCC Operating Range: 2.7V to 4.5V

Applications

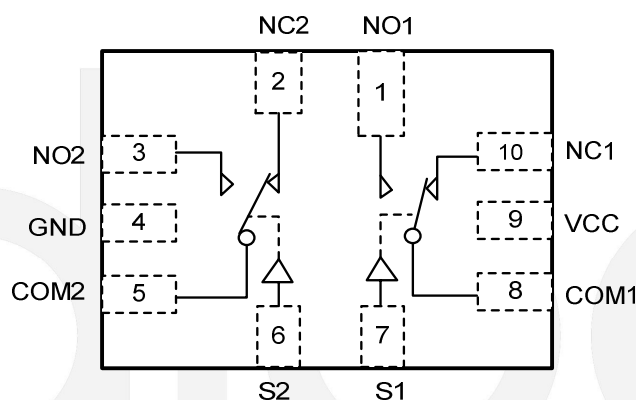
- Cell Phone, and Digital Camera
- PDA , and Notebook
- LCD Monitor
- TV, and Set-Top Box

Descriptions

The DIO1269 is a high-performance, dual Single-Pole Double-Throw (SPDT) analog switch with negative swing audio capability. The DIO1269 features ultra-low R_{ON} of 1Ω (typical) at 3.0V VCC. The DIO1269 operates over a wide VCC range of 2.7V to 4.5V, is fabricated with sub-micron CMOS technology to achieve fast switching speeds, and is designed for break-before-make operation. The select input is TTL-level compatible.

The DIO1269 features very low quiescent current even when the control voltage is lower than the VCC supply. This feature suits mobile handset applications by allowing direct interface with baseband processor general-purpose I/Os with minimal battery consumption.

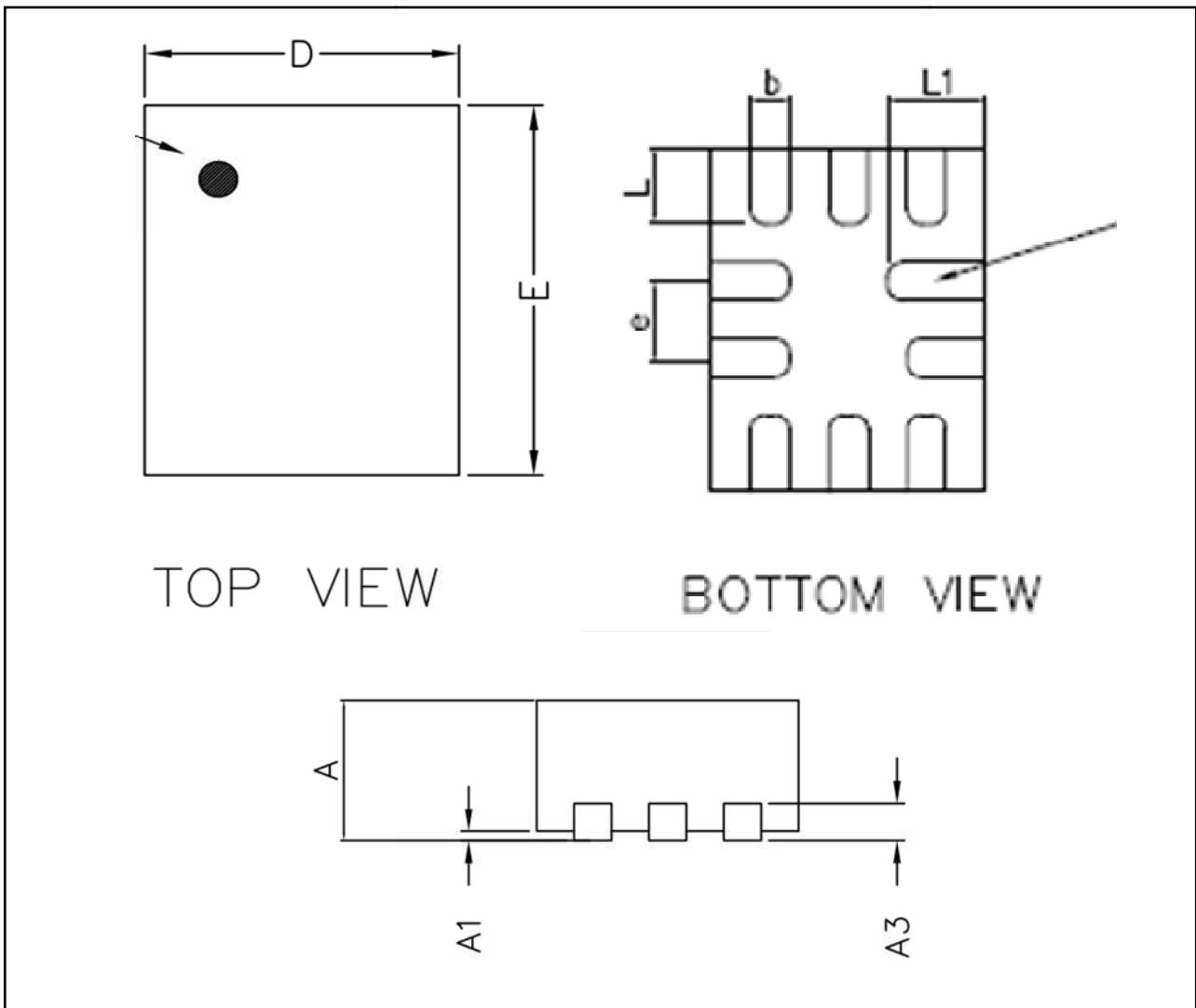
Block Diagram



Ordering Information

Order Part Number	Top Marking		T_A	Package	
DIO1269LP10	YW(X)Z	Green	-40 to +85°C	DQFN-10	Tape & Reel, 3000

Physical Dimensions: DQFN-10



PKG.	COMMON DIMENSIONS(MM)		
	UT:ULTRA THIN		
REF	MIN	NOM	MAX
A	0.50	0.55	0.60
A1	0.00	--	0.05
A3	0.15REF.		
D	1.35	1.40	1.45
E	1.75	1.80	1.85
b	0.15	0.20	0.25
L	0.30	0.40	0.50
L1	0.40	0.50	0.60
e	0.40BSC		



DIO1269

CONTACT US

Dioo is a professional design and sales corporation for high-quality and performance analog semiconductors. The company focuses on industry markets, such as, cell phone, handheld products, laptop, and medical equipments and so on. Dioo's product families include analog signal processing and amplifying, LED drivers and charger IC. Go to <http://www.dioo.com> for a complete list of Dioo product families.

For additional product information, or full datasheet, please contact with our Sales Department or Representatives.

Low-Voltage Dual-SPDT (1 Ω) Analog Switch with Negative Swing Audio Capability

