

# DIO1466

## Data/Audio Low-Voltage Dual DPDT Analog Switch

### Features

- Switch Type: DPDT(2X)
- Input Type: Data/Audio Switch
- Voltage Operation: 1.65V to 5.25V
- Low On Resistance: 2.7Ω @ 5.0V V<sub>CC</sub>
- Bandwidth: 170MHz
- 16pF C<sub>ON</sub> and 6.0pF C<sub>OFF</sub> @1MHz
- Excellent On Resistance Matching
- Low Total Harmonic Distortion (THD)
- Low power consumption
- Green Packaged: 16-Lead DQFN and 16-Lead TQFN
- 8kV HBM ESD

### Descriptions

The DIO1466 is a dual Double-Pole, Double-Throw (DPDT) analog switch. DIO1466 operates from a single 1.65V to 5.25V supply and features an ultra-low on resistance of 2.7Ω at a +5.0V supply and T<sub>A</sub> = 25°C. This device is fabricated with sub-micron CMOS technology to achieve fast switching speeds and is designed for break-before-make operation.

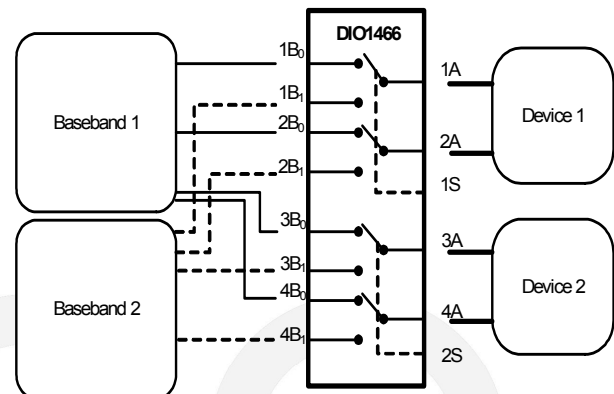
DIO1466 features very low quiescent current even when the control voltage is lower than the V<sub>CC</sub> supply. This allows mobile handset applications direct interface with the baseband processor general-purpose I/Os.

DIO1466 provides packages with Green 16-lead DQFN and 16-lead TQFN.

### Applications

- Cell-Phone/PDA
- MP3/MP4/PMP
- Portable Instrumentation
- Battery Powered Communications
- Computer Peripherals

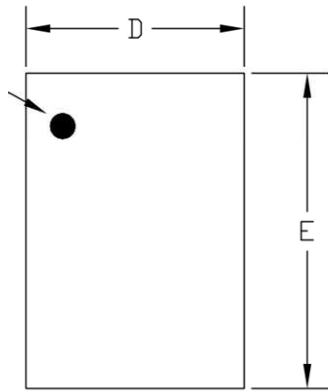
### Block Diagram



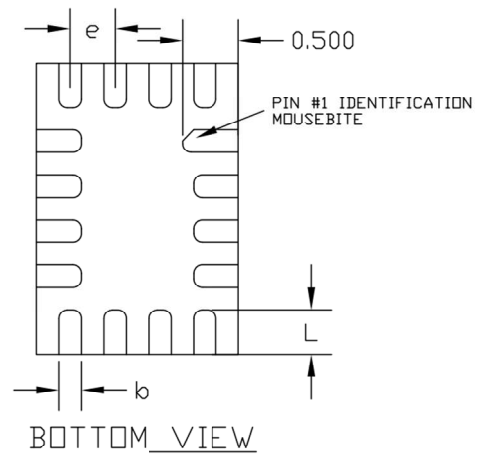
### Ordering Information

Order Part Number	Top Marking		T <sub>A</sub>	Package	
DIO1466LN16	D14	Green	-40 to +85°C	DQFN-16	Tape & Reel, 3000
DIO1466CL16	D1466	Green	-40 to +85°C	TQFN-16	Tape & Reel, 5000

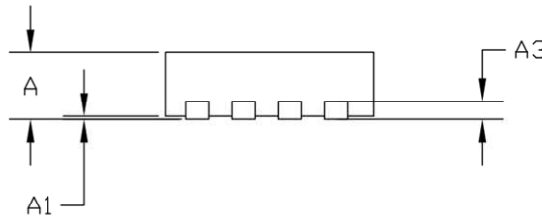
Physical Dimensions: DQFN-16



TOP VIEW



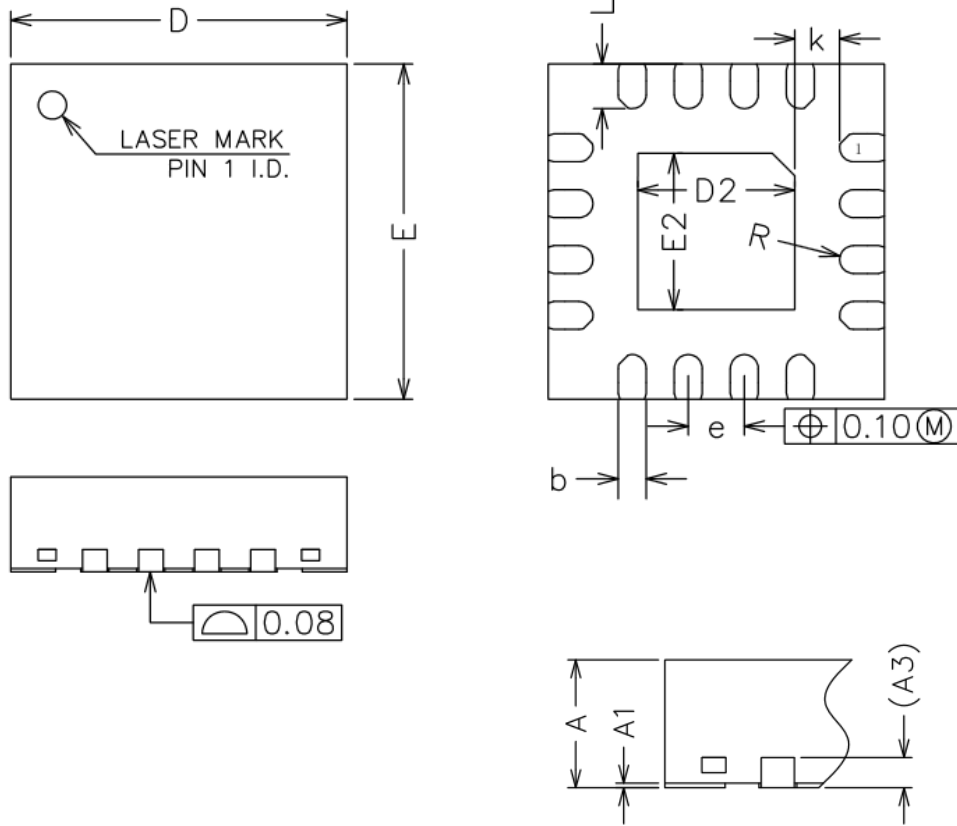
BOTTOM VIEW



SIDE VIEW

COMMON DIMENSIONS(MM)			
PKG.	UT:ULTRA THIN		
REF	MIN	NOM	MAX
A	0.50	0.55	0.60
A1	0.00	--	0.05
A3	0.15REF.		
D	1.75	1.80	1.85
E	2.55	2.60	2.65
L	0.35	0.40	0.45
b	0.15	0.20	0.25
e	0.40BSC		

Physical Dimensions: TQFN-16



COMMON DIMENSIONS(MM)			
SYMBOL	MIN	NOM	MAX
A	0.70	0.75	0.80
A1	0.00	0.02	0.05
A3	0.20REF		
b	0.20	0.25	0.30
D	2.90	3.00	3.10
E	2.90	3.00	3.10
D2	1.30	1.40	1.50
E2	1.30	1.40	1.50
e	0.40	0.50	0.60
K	0.30	-	-
L	0.35	0.40	0.45
R	0.09	-	-



## DIO1466

### CONTACT US

Dioo is a professional design and sales corporation for high-quality and performance analog semiconductors. The company focuses on industry markets, such as, cell phone, handheld products, laptop, and medical equipments and so on. Dioo's product families include analog signal processing and amplifying, LED drivers and charger IC. Go to <http://www.dioo.com> for a complete list of Dioo product families.

For additional product information, or full datasheet, please contact with our Sales Department or Representatives.