



Limited Datasheet

For full content datasheet, please go to www.dioo.com/support/doc.html
Email datasheet.requir@dioo.com

DIO3203

3:1-USB 2.0 High-Speed/UART/ Audio Switch

Features

- Low Ron Audio/USB/UART switch
- Low USB Con: 6.8pF
- -1.4V Negative Signal Swing Capable
- USB Switch -3dB Bandwidth: 720MHz
- High Crosstalk and Off-isolation
- Voltage Supply Operation: 2.7V to 4.4V
- 5.25V Tolerant on COM Pin
- Green Packaged: TQFN16, DQFN12
- 4kV HBM ESD Rating, 2kV CDM ESD Rating

Applications

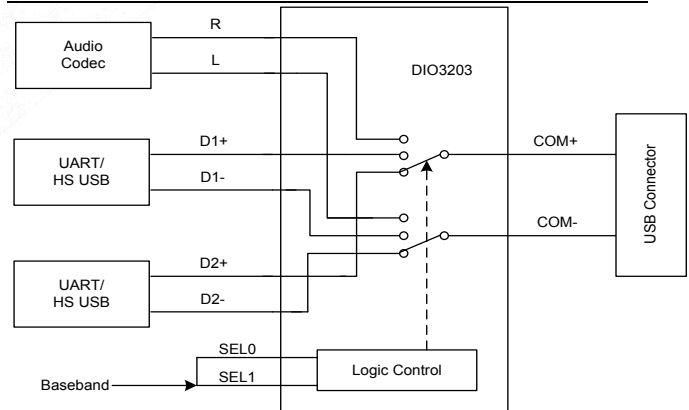
- Cell Phones
- PDAs and MP3s
- Portable Instrumentation
- Battery Powered Communications
- Computer Peripherals

Descriptions

The DIO3203 is a SP3T (Single Pole/Triple Throw) switch which combines low distortion audio, UART channel and accurate USB 2.0 high-speed data signal switching in the same low voltage device. This architecture is designed to allow negative signal passing as low as -1.4V below ground.

It is available in TQFN16 and DQFN12 packages, and operates over a temperature range of -40°C to 85°C.

Block Diagram



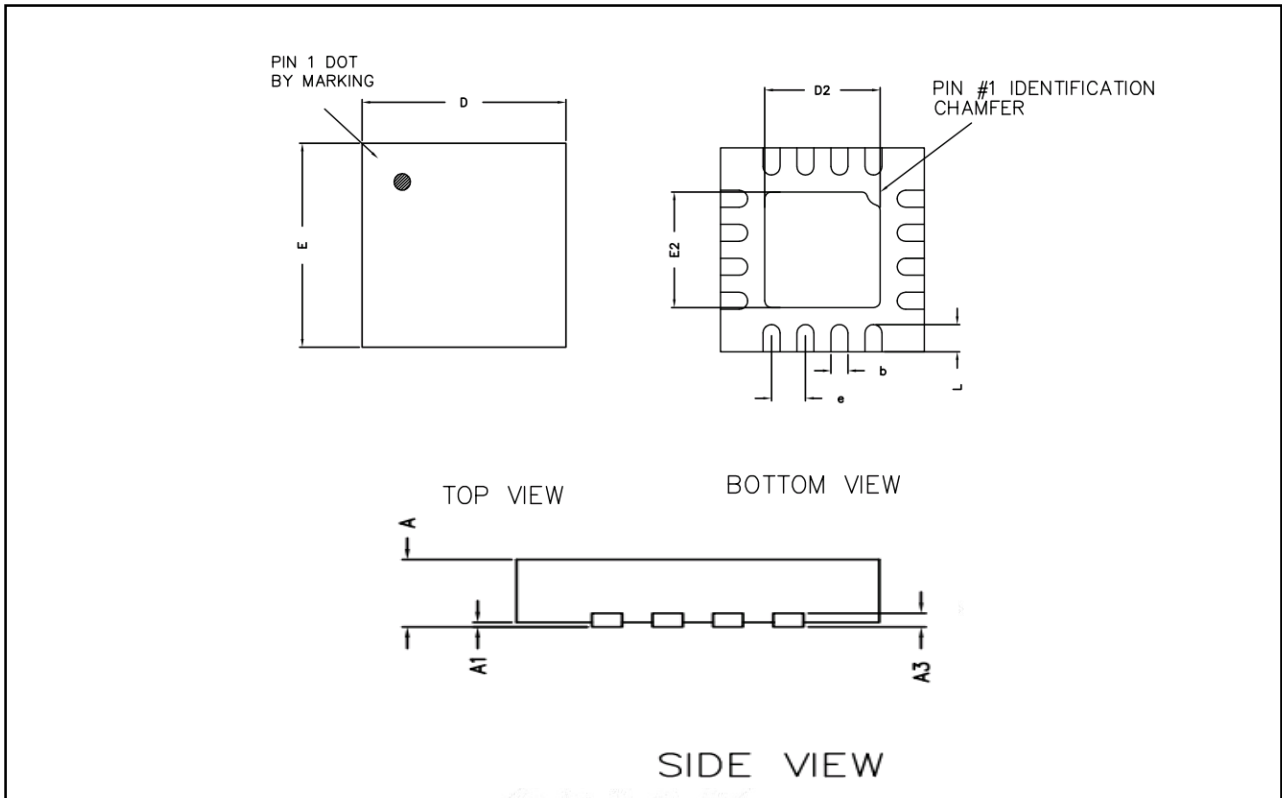
Ordering Information

Order Part Number	Top Marking	Green	T _A	Package	
DIO3203LP16	D3203	Yes	-40 to +85°C	TQFN 3*3-16	Tape & Reel, 5000
DIO3203LN12	YWYZ	Yes	-40 to +85°C	DQFN 1.8*1.8-12	Tape & Reel, 3000

DIO3203

3:1-USB 2.0 High-Speed/UART/ Audio Switch

Physical Dimensions: TQFN-16

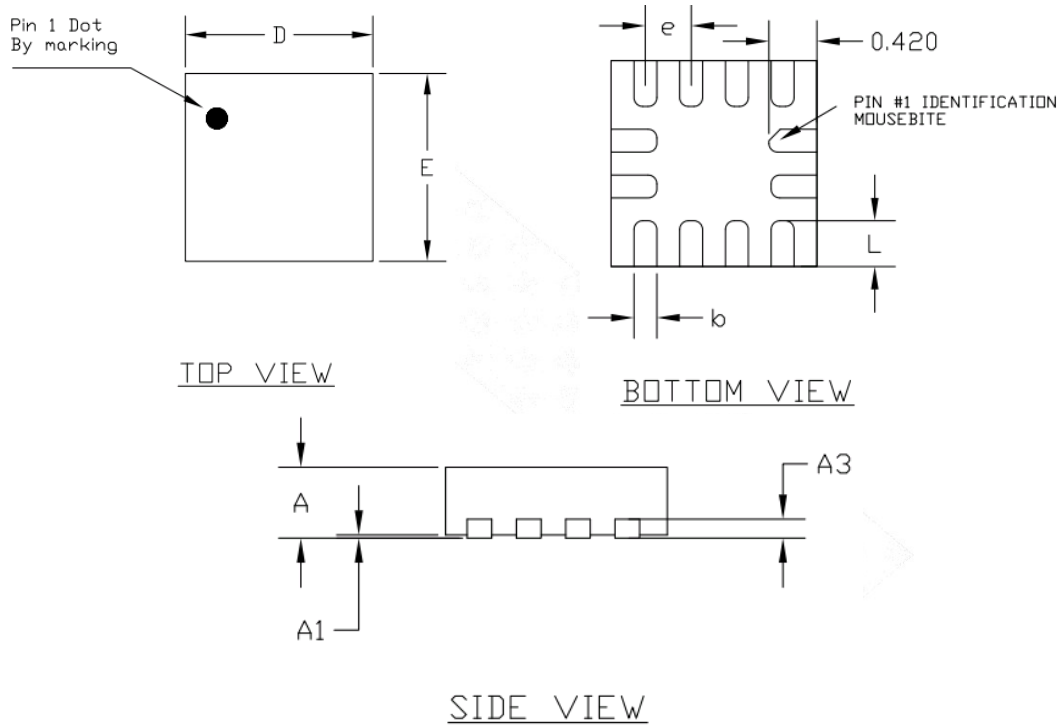


COMMON DIMENSIONS (MM)

PKG. REF.	W: VERY VERY THIN		
	MIN.	NOM.	MAX.
A	0.70	0.75	0.80
A1	0.00	-	0.05
A3	0.2 REF.		
D	2.95	3.00	3.05
E	2.95	3.00	3.05
b	0.18	0.25	0.30
L	0.30	0.40	0.50
D2	1.55	1.70	1.80
E2	1.55	1.70	1.80
e	0.50 BSC		

DIO3203

Physical Dimensions: DQFN-12



COMMON DIMENSIONS (MM)

PKG. REF.	UT ULTRA THIN		
	MIN.	NOM.	MAX.
A	> 0.50	0.55	0.60
A1	0.00	-	0.05
A3	0.15 REF.		
D	1.75	1.8	1.85
E	1.75	1.8	1.85
L	0.35	0.40	0.45
b	0.15	0.20	0.25
e	0.40 BSC		

CONTACT US

Dioo is a professional design and sales corporation for high-quality and performance analog semiconductors. The company focuses on industry markets, such as, cell phone, handheld products, laptop, and medical equipments and so on. Dioo's product families include analog signal processing and amplifying, LED drivers and charger IC. Go to <http://www.dioo.com> for a complete list of Dioo product families.

For additional product information, or full datasheet, please contact with our Sales Department or Representatives.

