

DIO7320

5V, 5A Load Switch with Slew Rate Control and Reverse Current Blocking

Features

- Low Ron, Typical 28mΩ at 5V Vin with 50mΩ max
- 5A Continuous Current Capability
- Reverse Current Blocking (RCB), during both OFF and ON state
- 3ms (typical) Soft on Slew Rate
- Robust ESD capability, 6kV HBM & 2kV CDM (6kV for all pins)

Application

- Smart phones
- PAD
- Storage
- Other portable device

Descriptions

The DIO7320 load switch consists of a slew rate controlled low Ron (28mΩ) MOSFET and other features. The slew rate controlled turn-on characteristic prevents inrush current and the excessive voltage drop on power rails. The DIO7320 also has a true reverse current blocking function stopping unwanted from Vout to Vin during both ON and OFF states.

The DIO7320 is available in EP-SOIC8 package.

Typical Application Diagram

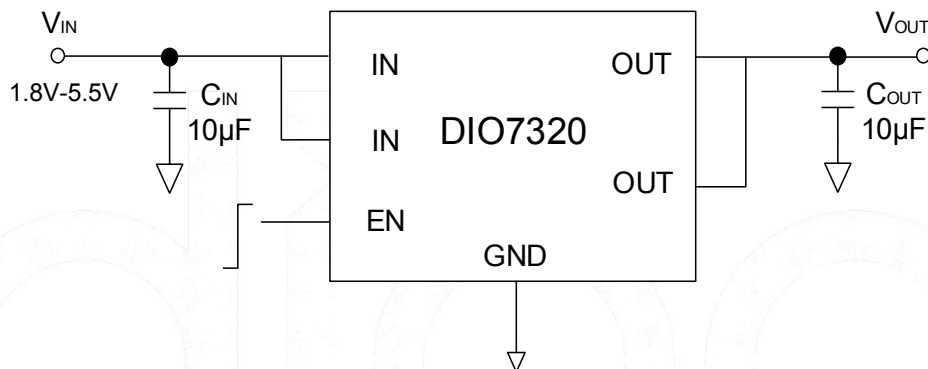
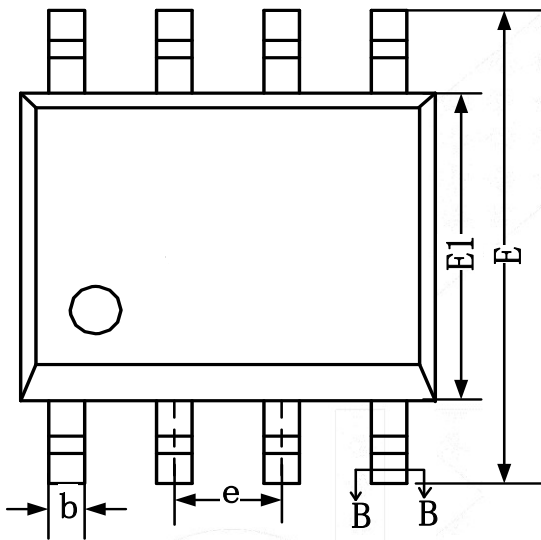
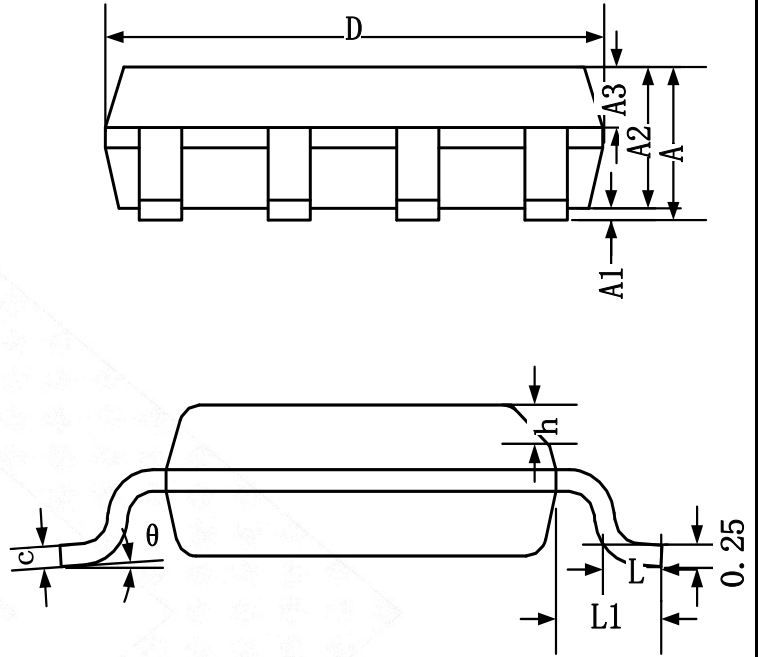
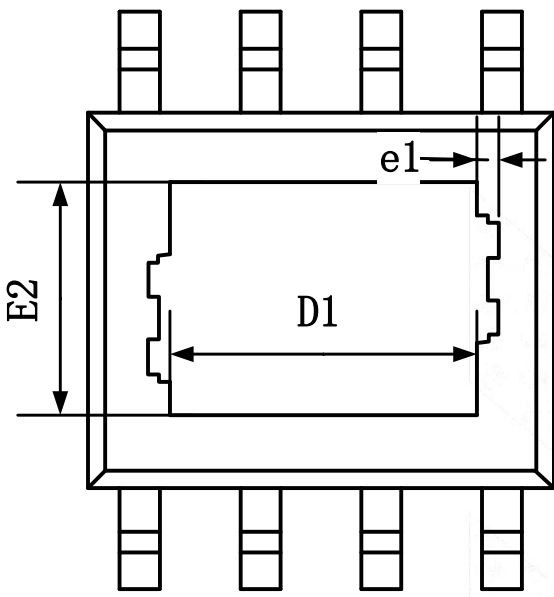


Figure 1 Typical Application Diagram

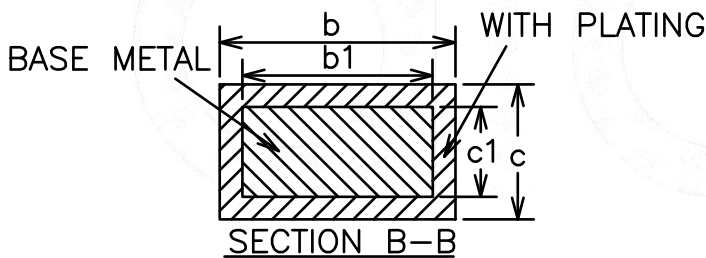
Ordering Information

Order Part Number	Top Marking	Green	T _A	Package	
DIO7320XS8	DIO7320	Yes	-40 to +85°C	EP-SOIC-8	Tape & Reel, 2500

Physical Dimensions: EP-SOIC-8



COMMON DIMENSIONS (UNITS OF MEASURE=MILLIMETER)			
Symbol	MIN	NOM	MAX
A	-	-	1.65
A1	0.05	-	0.15
A2	1.30	1.40	1.50
A3	0.60	0.65	0.70
b	0.39	-	0.48
b1	0.38	0.41	0.43
c	0.21	-	0.25
c1	0.19	0.20	0.21
D	4.70	4.90	5.10
E	5.80	6.00	6.20
E1	3.70	3.90	4.10
e	1.27BSC		
h	0.25	-	0.50
L	0.50	0.60	0.80
L1	1.05BSC		
theta	0°	-	8°



CONTACT US

Dioo is a professional design and sales corporation for high-quality and performance analog semiconductors. The company focuses on industry markets, such as, cell phone, handheld products, laptop, and medical equipment and so on. Dioo's product families include analog signal processing and amplifying, LED drivers and charger IC. Go to <http://www.dioo.com> for a complete list of Dioo product families.

For additional product information, or full datasheet, please contact with our Sales Department or Representatives.

